

RINCON XP REMOTE

Project:	
Type:	
Catalog #:	



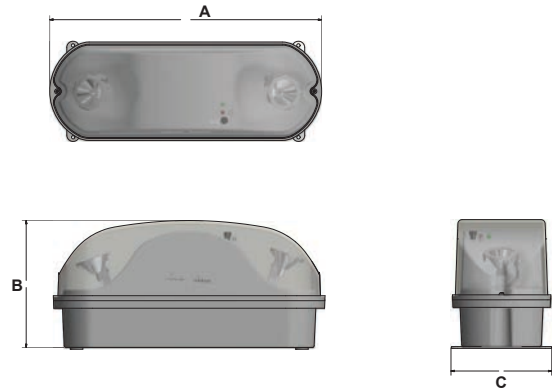
SPECIFICATIONS: OVERVIEW

The RINCON XP REMOTE is vandal resistant, durable and can be depended on in the event of an emergency. The gasketed die-cast aluminum housing and clear polycarbonate lens is suitable for areas that are wet, cold or that generate dust. Tamper resistant screws are standard and ensure the integrity of the remote. Performance optics allows up to 70 foot spacing on center. The RINCON series is approved for use in Class I Division 2, Groups A-D, Class II Divisions 1 & 2, Groups E-G: T coded T4A, T3B, T3A, T2D, T2A, or T1. The operating temperature is from -22°F up to 104°F (-30°C to 40°C).

SPECIFICATIONS: MECHANICAL

The RINCON XP REMOTE is constructed from a durable, fully gasketed NEMA 4X and IP66 rated die-cast aluminum housing. Stainless steel mounting straps are supplied for surface mounting. The RINCON XP REMOTE is supplied standard in a durable gray powder coat, baked finish. Other colors are available, including color matching, please specify. CSA 22.2 No. 141 Performance Certified.

DIMENSIONS (in, mm.)



Series	A	B	C
RIN-XP-R	16 ^{1/4} "	7 ^{1/2} "	6"
	413mm	191mm	152mm

Series	Operation	Lamps	Options
RIN-XP-R	6 VDC	See lamp selection	CC (custom color mounting plate)
	12 VDC	on next page	WG (wireguard)
	24 VDC		

SANITATION LISTINGS

The RINCON XP REMOTE is sanitation listing approved. The Intertek verified splash zone listing is equivalent to the NSF standard 2, meeting the rigorous sanitation, electrical safety and performance standards of food service environments.

TAMPER RESISTANT DESIGN

The RINCON XP REMOTE series of vandal resistant emergency lighting units are designed to stand up to abuse in applications such as schools, public areas, institutions and apartment complexes where vandalism may potentially occur. The heavy die-cast aluminum body and polycarbonate lens offer extreme protection and superior performance. Tamper resistant screws are standard and ensure the integrity of the unit.

LAMP SELECTION

	6V	12V	24V
MR16	6, 10W	10, 12, 20, 35, 50W	12, 20, 35, 50W
MR16 LED	5, 7W	2, 5, 7W	5, 7W

WARRANTY

The RINCON XP REMOTE comes with a 3-year factory warranty. Deliberate damage, misuse, improper installation effectively cancel the warranty.

Temperature Codes Class I, Div. 2						
Lamp	10 Watt Halogen	12 Watt Halogen	20 Watt Halogen	35 Watt Halogen	50 Watt Halogen	7 watt LED max
T Code	T3A	T3B	T2D	T2A	T1	T4A
Temperature Codes Class 2, Div. 1 & 2						
Lamp	10 Watt Halogen	12 Watt Halogen	20 Watt Halogen	35 Watt Halogen	50 Watt Halogen	7 watt LED max
T Code	T4A	T4A	T4A	T4A	T4A	T4A